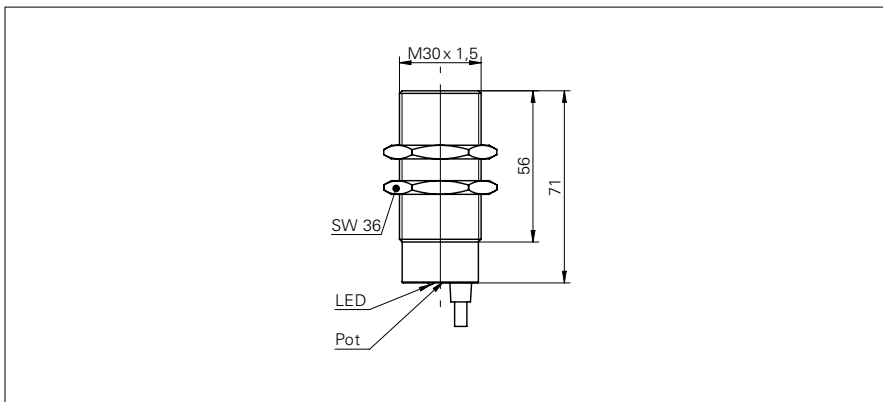


## Capacitive proximity sensors

## CFAK 30 (Sn = 15 mm)

## sample drawing



## general data

|  |                         |
|--|-------------------------|
| mounting type                          | shielded                |
| nominal sensing distance Sn            | 15 mm                   |
| nominal sensing distance Sn adjustable | 4 ... 15 mm             |
| temperature drift                      | ± 15 % (+10 ... +70 °C) |
| sensitivity adjustment                 | potentiometer           |
| output indicator                       | LED yellow              |

## electrical data

|                             |               |
|-----------------------------|---------------|
| voltage supply range +Vs    | 10 ... 30 VDC |
| current consumption max.    | 20 mA         |
| output current              | < 200 mA      |
| voltage drop Vd             | < 1,5 VDC     |
| switching frequency         | < 50 Hz       |
| short circuit protection    | yes           |
| reverse polarity protection | yes           |

## mechanical data

|                  |                      |
|------------------|----------------------|
| type             | cylindrical threaded |
| housing material | PBT                  |
| dimension        | 30 mm                |
| housing length   | 71 mm                |
| connection types | cable, 2 m           |

## ambient conditions

|                       |                |
|-----------------------|----------------|
| operating temperature | -25 ... +75 °C |
| protection class      | IP 65          |

## order reference

|                     |                         |
|---------------------|-------------------------|
| <b>CFAK 30N1600</b> | NPN make function (NO)  |
| <b>CFAK 30N3600</b> | NPN break function (NC) |
| <b>CFAK 30P1600</b> | PNP make function (NO)  |
| <b>CFAK 30P3600</b> | PNP break function (NC) |

## output circuit

## sample picture

